

**Pyynnöstä ilmoitamme että oheisen kuvan mukainen etualleajosuojaja on hyväksytty ECE-R93.00 mukaisesti seuraavissa ajoneuvoissa:**

Rakennemalli (alustanumeron alku)

950.031/.032/.033/.034/.035/.04/.05	934.01/.03/.14/.22/.23/.24
950.20/.21/.53/.54/.60/.61	950.03/.11/.14/.20/.22
954.03/.04/.05/.06/.23/.53	950.50/.53/.54/.60/.61/.62/.64
930.031/.032/.033/.034/.035/.04/.05	954.03/.14/.22/.23/.24
930.20/.21	944.03/.23
934.03/.04/.05/.23	930.03/.11/.14/.20/.22
950.00/.036/.037/.038/.20	934.03/.14/.22/.23/.24
954.00/.03/.14/.23	950.16/.22/.30/.53/.54/.60/.61/.62
944.23	954.16/.23/.53
930.00/.036/.037/.038/.20	930.16/.22/.30
934.03/.14/.23	934.16/.23
950.00/.01/.03/.11/.14/.20/.24/.50	930.08/.18
954.00/.01/.03/.22/.23/.24	932.00/.01/.07/.08/.14/.16/.18/.24/.30/.31/.32/.33
944.03/.23	933.14/.16/.30/.31
930.00/.01/.03/.11/.14/.20/.24	934.06/.08/.18
934.01/.03/.22/.23/.24	950.08/.18
950.00/.01/.03/.11/.14/.20/.22/.24	952.00/.01/.07/.08/.14/.16/.18/.24/.30/.31/.32/.33
950.50/.53/.54/.60/.61/.64	953.14/.16/.30/.31
954.00/.01/.03/.14/.22/.23/.24/.53	954.08/.18
944.03/.23	952.50/.56/.64
930.00/.01/.03/.11/.14/.20/.22/.24	953.64


VEHO GROUP OY AB  
Tyypiteknikka

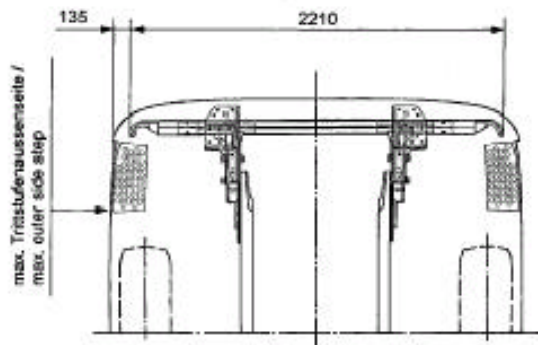
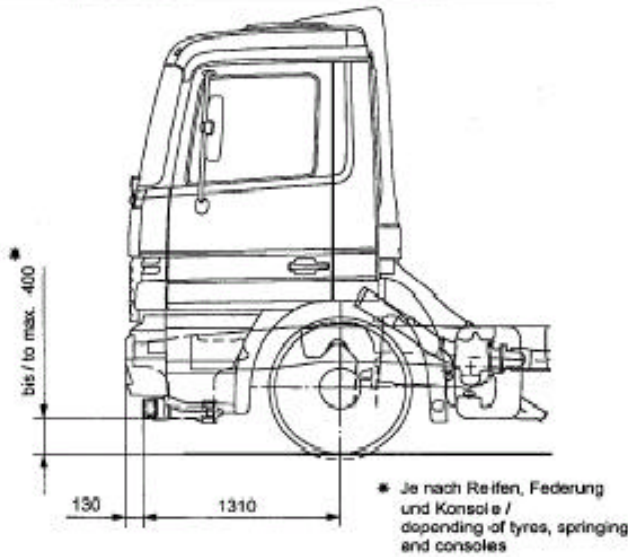
Staffan Nyberg

---

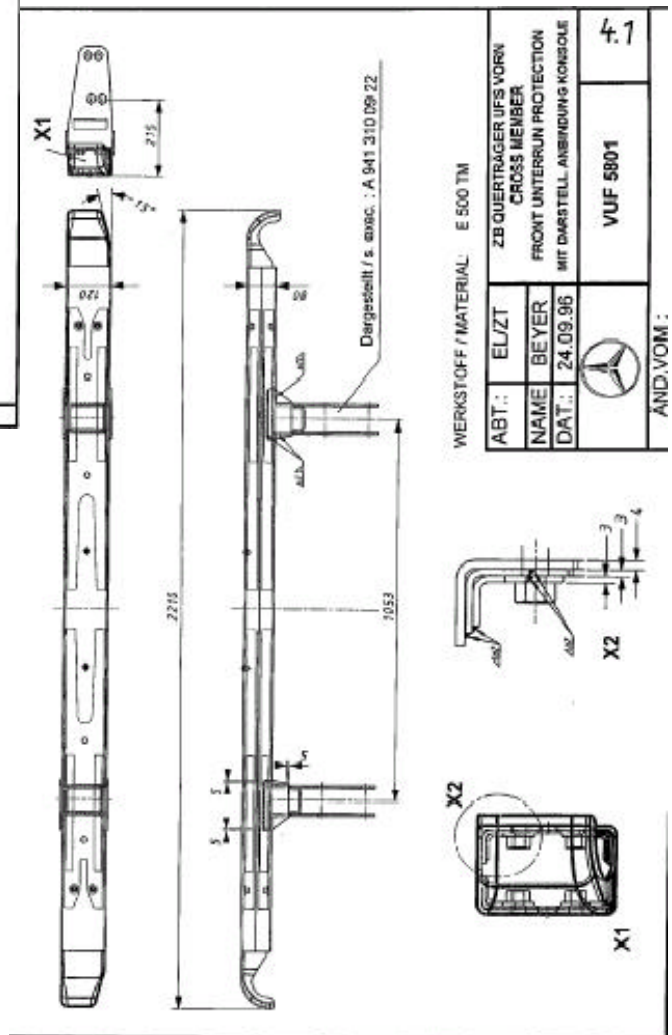
<b>Veho Group Oy Ab</b>	Posti PL 158 00101 HELSINKI	Autotalo Salomonkatu 17 B 00100 HELSINKI	Puhelin 010 569 12	Faksi 010 569 2456 www.veho.fi
	Pankit Merita Pankki Oyj 200118-311055	Leonia Pankki Oyj 800013-96881	OKO 500001-222248	Krno 86.803 Kotipaikka HELSINKI ALV rek.

---

	ABMESSUNGEN UNTERFAHRSCHUTZ VORN DIMENSIONS FRONT UNDERRIDE PROTECTION	VUF 5810	3.2
		EL/ZT by 24.09.96	



AND. VOM. -



**Veho Group Oy Ab**

Posti  
PL 158  
00101 HELSINKI

Pankit  
Merita Pankki Oyj  
200118-311055

Leonia Pankki Oyj  
800013-96881

Autotalo  
Salomonkatu 17 B  
00100 HELSINKI

OKO  
500001-222248

Puhelin  
010 569 12

Ly-tunnus  
0115761-6

Faksi  
010 569 2456  
www.veho.fi

Krnro 86.803  
Kotipaikka HELSINKI  
ALV rek.